

constructiv **ottobox**



## **burkhardt leitner** **modular spaces\_products**

### **constructiv ottobox – mobile space on castors**

Society is changing from an information society to a knowledge society. Communication serves as a basis, since only in useful networks with interpersonal exchange information can be turned into usable knowledge. It is necessary to improve not only the communicative quality of a space but also its flexibility of use. With the **ottobox** autonomous, independent room-in-room modules are created, which can be quickly rearranged at any time without imposing on the existing architecture. Thus conversion costs can be reduced to a minimum.

### **Properties**

A company's corporate design can be integrated into the **ottobox** and can be used for the colours, graphics and typography of the whole space. Zeitgeist becomes visible by using interesting materials for the floor, wall and ceiling. The **ottobox's** high modularity is also suitable for temporary advertising campaigns (printing on glass, panels, banners, etc). Custom lighting, ventilation and acoustics solutions can be integrated quickly and easily.

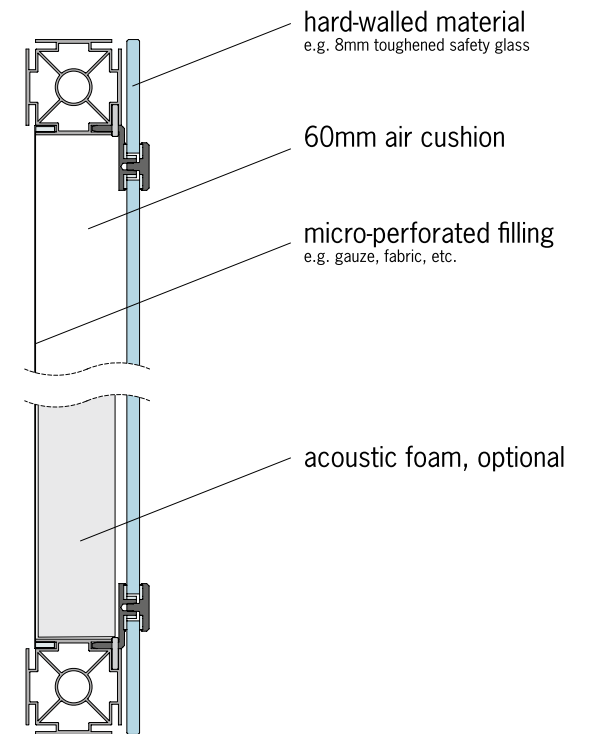
The constructiv otto system as the basis of the **ottobox** has a unified visual appearance. The aluminium profile with an integrated connector made of precision-cast high-grade steel has a high flexural rigidity and small dimensions – few components, quick assembly and high mobility. The standard grid dimensions are for example: 2.4 x 2.4 x 2.4 m or 3.6 x 3.6 x 2.4 m, however, other axial dimensions are available on request at any time.

The pared-down clarity of form and the use of high-quality materials guarantee durability, sustainability and preservation of resources.

constructiv **ottobox**



**burkhardt leitner**  
**modular spaces\_products**

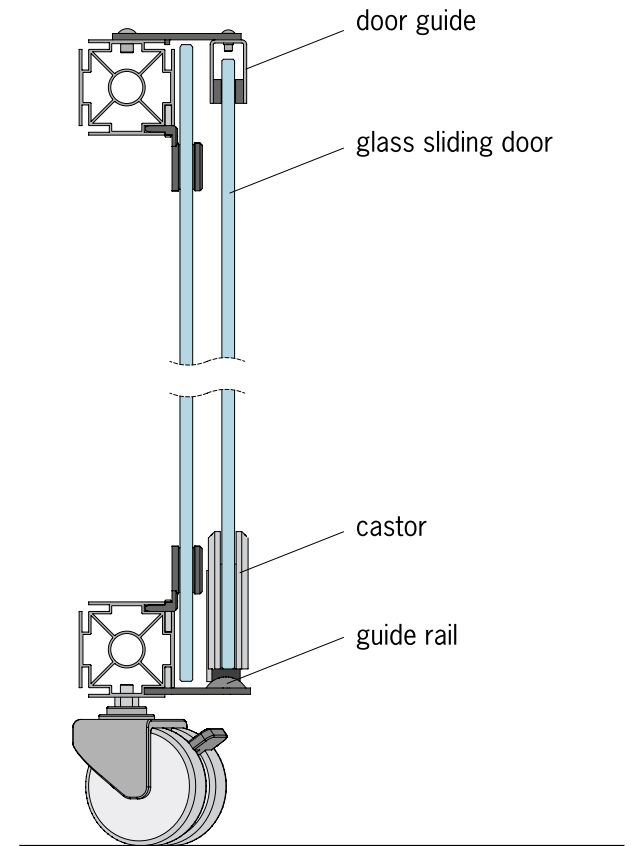


**Integrated acoustics solution**

The use of micro-perforated materials within the profile in combination with hard-walled materials such as glass, wood, metal, etc reduces the reverberation period.



**burkhardt leitner**  
modular spaces\_products



### Bottom-guided sliding door

The ottobox on castors also offers a bottom-guided sliding door.

constructiv **ottobox**



- think -



- talk -



- read -

### Fields of use

The **ottoboxes** create temporary architecture in lofts, industrial buildings or in public spaces such as museums, congress centres, banks, railway stations, airports and showrooms or structure open-plan offices into spaces to meet, work or retreat.



**burkhardt leitner**  
modular spaces\_products

#### **Panorama glass**

With a span of up to 3.6 m a panorama glass front with toughened safety glass and coloured or structured glass panes is possible.

#### **All-over floor solution**

Carpet, linoleum or solid wood – large spans and connectors which are integrated into the profile make all-over floor solutions possible.

constructiv **ottobox**



**burkhardt leitner**  
**modular spaces\_products**

### **Accessories**

The **ottoboxes** have integrated shelves and there are various possibilities to fasten projection panels, beamers, monitors, whiteboards and lighting etc.

constructiv **ottobox**

**burkhardt leitner**  
**modular spaces**\_products



#### **constructiv otto**

The constructiv otto system as the basis of the **ottobox** has a unified visual appearance. The aluminium profile with an integrated connector made of precision-cast high-grade steel has a high flexural rigidity and small dimensions – few components, quick assembly and high mobility.

constructiv **ottobox**